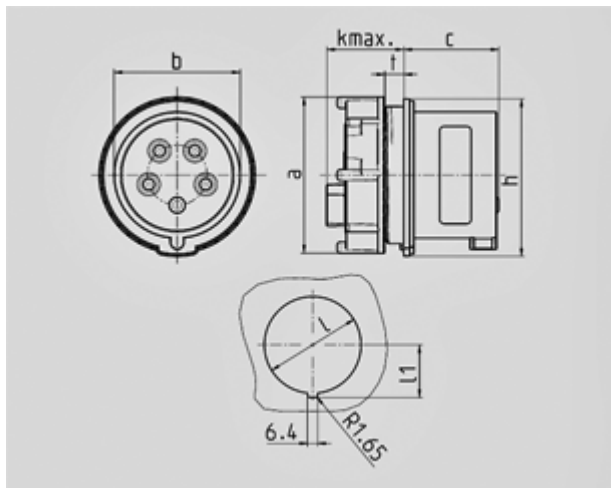


Panel mounted inlet RAPIDO® - Part no. 938


- screw terminals
- for wall aperture 70 mm Ø
- central fixing

Protection type	IP 44
Ampere	32A
Poles	3p
Voltage	230V
Hertz	50-60Hz
Earth position	6h
Contact	standard
Connection technology	Screw terminals

Std. Pack. 10 Qty.



Drawing	Amp.	16		32		
		Poles		3	4	5
2 MB 215		4	5			
Dim. in mm	a	78	78	78	78	78
	b	50	56	58	58	64
	c	45	44	51	51	51
	k max.	33	33	33	33	33
	h	82	82	82	82	82
	l	70	70	70	70	70
	l1	37,75	37,75	37,75	37,75	37,75
	t	wall thicknesses 2-9mm		wall thicknesses 2-9mm		
Terminal for cond.		1,5	1,5	2,5	2,5	2,5
section (mm ²) min.-max.		-4	-4	-10	-10	-10