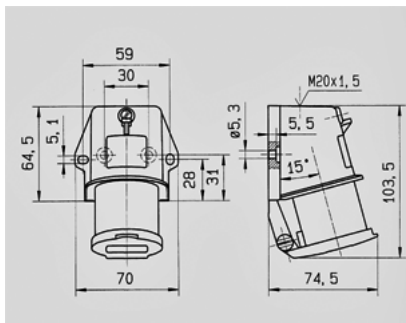


**Wall mounted inlet - Part no. 847**

- screw terminals
- with hinged lid
- for internal or external fixing
- cable entry also possible from top or from the rear

## Technical information

Ampere	16 A
Poles	3 p
Voltage	230V
Earth position	6 h
Hertz	50-60 Hz
Connection technology	Screw terminals
Contact	standard
Protection type	IP 44

Drawing  
2 MB 212

Dim. in mm