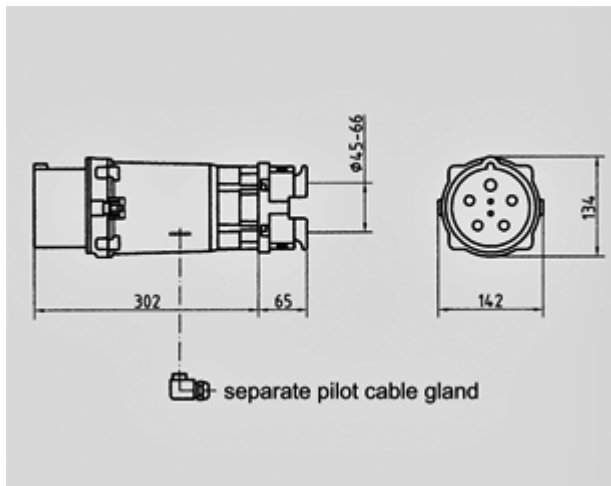


**Plug - Part no. 75206**

- screw terminals
- with cable gland
- seawater resistant products are available on request
- if required, pilot cables can be introduced separately into plugs/enclosures, please add „PK“ to the part number

Protection type	IP 67
Ampere	200A
Poles	5p
Voltage	400V
Hertz	50-60Hz
Earth position	6h
Contact	standard
Connection technology	Screw terminals

Std. Pack. 1 Qty.

**Drawing**  
**2 MB 195****Dim. in mm**