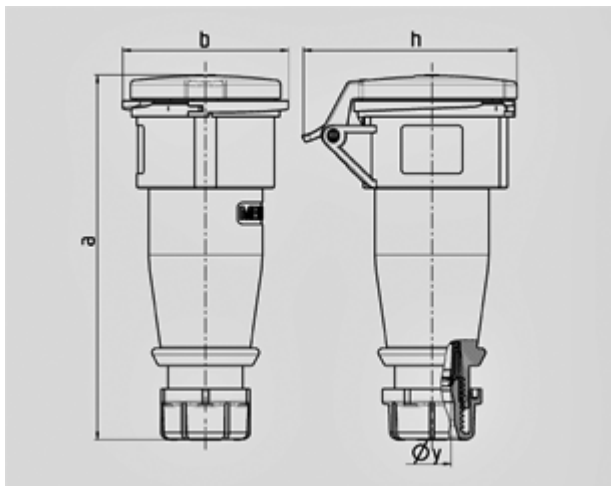


Connector AM-TOP® - Part no. 748


- screw terminals
- with highly heat resistant contact carrier
- nickel plated contacts
- single part body
- cable gland and sealing
- strain relief and protection against kinking

| | |
|-----------------------|---|
| Protection type | IP 44 |
| Ampere | 32A |
| Poles | 7p |
| Voltage | 400V |
| Hertz | 50-60Hz |
| Earth position | 6h |
| Contact | nickel plated contacts, highly heat resistant contact carrier |
| Connection technology | Screw terminals |

Std. Pack. 10 Qty.



| Drawing | Amp. | 16 | | 32 | |
|--------------------------------------|-------|------|--|-----|--|
| | | 7 | | 7 | |
| 3 MB 63 | Poles | | | | |
| Dim. in mm | a | 167 | | 208 | |
| | b | 76 | | 89 | |
| | h | 98 | | 108 | |
| | y | 16 | | 22 | |
| Terminal for cond. cross | | 1 | | 2,5 | |
| section (mm ²) min.-max. | | —2,5 | | —6 | |