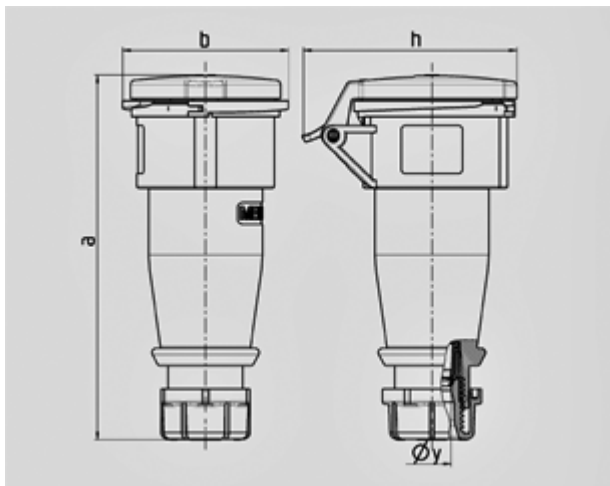


**Connector AM-TOP® - Part no. 746**


- screw terminals
- with highly heat resistant contact carrier
- nickel plated contacts
- single part body
- cable gland and sealing
- strain relief and protection against kinking

Protection type	IP 44
Ampere	16A
Poles	7p
Voltage	400V
Hertz	50-60Hz
Earth position	6h
Contact	nickel plated contacts, highly heat resistant contact carrier
Connection technology	Screw terminals

Std. Pack. 10 Qty.



Drawing	Amp.	16		32	
		7		7	
3 MB 63	Poles				
Dim. in mm	a	167		208	
	b	76		89	
	h	98		108	
	y	16		22	
Terminal for cond. cross		1		2,5	
section (mm <sup>2</sup> ) min.-max.		—2,5		—6	