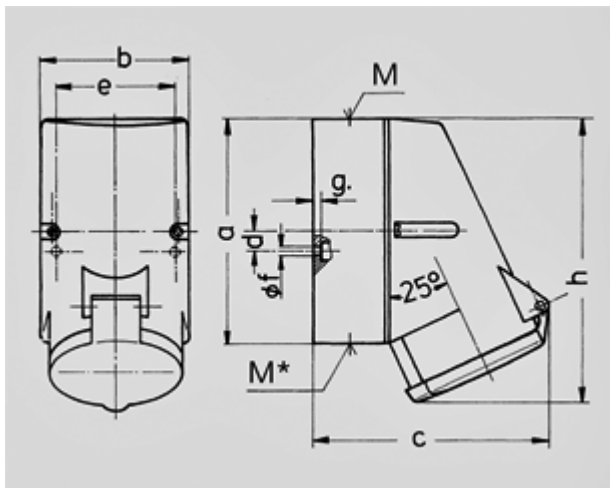


Wall mounted receptacle - Part no. 736


- screw terminals
- with highly heat resistant contact carrier
- nickel plated contacts
- internal fixing
- one cable entry at the top, two blind entries (can be cut out) at the bottom
- enclosure base can be turned 180°
- receptacles are designed for adding an auxiliary contact switch

Protection type	IP 44
Ampere	32A
Poles	7p
Voltage	400V
Hertz	50-60Hz
Earth position	6h
Contact	nickel plated contacts, highly heat resistant contact carrier
Connection technology	Screw terminals

Std. Pack. 10 Qty.



Drawing	Amp.	16		32	
		7		7	
1 MB 257	Poles				
Dim. in mm	a	128		128	
	b	84		84	
	c	124		138	
	d	11		11	
	e	68		68	
	f	5,3		5,3	
	g	4		4	
	h	145		160	
	M	25		32	
	M*	(blind) to be cut out 2x25		(blind) to be cut out 2x25	
	Max. cable diam. (mm)	18		25	
	Terminal for cond. cross section (mm ²) min.-max.	1,5 —4		2,5 —10	