

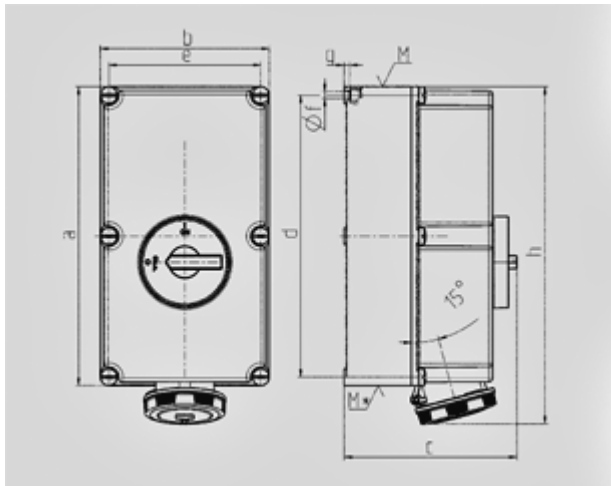
## Wall mounted receptacle - Part no. 5692A



- screw terminals
- TorsionSpringCONTACT
- switched
- mechanical DUO-interlock
- upon request with provision for an additional padlock

|                       |                 |
|-----------------------|-----------------|
| Protection type       | IP 67           |
| Ampere                | 125A            |
| Poles                 | 5p              |
| Voltage               | 400V            |
| Hertz                 | 50-60Hz         |
| Earth position        | 6h              |
| Contact               | standard        |
| Connection technology | Screw terminals |

Std. Pack. 1 Qty.



| Drawing                                                       | Amp. | 125    |        |        |
|---------------------------------------------------------------|------|--------|--------|--------|
|                                                               |      | Poles  |        |        |
| 1 MB 177                                                      |      | 3      | 4      | 5      |
| Dim. in mm                                                    | a    | 460    | 460    | 460    |
|                                                               | b    | 260    | 260    | 260    |
|                                                               | c    | 283    | 283    | 283    |
|                                                               | d    | 434    | 434    | 434    |
|                                                               | e    | 234    | 234    | 234    |
|                                                               | f    | 11     | 11     | 11     |
|                                                               | g    | 9      | 9      | 9      |
|                                                               | h    | 519    | 519    | 519    |
|                                                               | M    | 63     | 63     | 63     |
|                                                               | M*   | 2x63   | 2x63   | 2x63   |
| Max. cable diam. (mm)                                         |      | 44     | 44     | 44     |
| Terminal for cond. cross section (mm <sup>2</sup> ) min.-max. |      | 25 —70 | 25 —70 | 25 —70 |