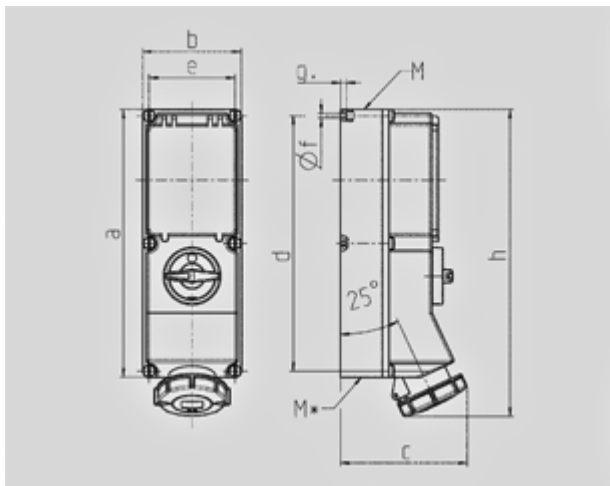


Wall mounted receptacle - Part no. 5638A


- screw terminals
- 63A: SoftCONTACT
- switched
- mechanical DUO-interlock
- DIN rail
- receptacles can be padlocked

| | |
|-----------------------|-----------------|
| Protection type | IP 67 |
| Ampere | 32A |
| Poles | 5p |
| Voltage | 400V |
| Hertz | 50-60Hz |
| Earth position | 6h |
| Contact | standard |
| Connection technology | Screw terminals |

Std. Pack. 2 Qty.



| Drawing | Amp. | 16 | | | 32 | | 63 | |
|--------------|---|-------|-------|-------|-------|-------|------|------|
| | | 3 | 4 | 5 | 4 | 5 | 4 | 5 |
| 1 MB 181/620 | Poles | | | | | | | |
| Dim. in mm | a | 364 | 364 | 364 | 364 | 364 | 460 | 460 |
| | b | 134 | 134 | 134 | 134 | 134 | 180 | 180 |
| | c | 160 | 162 | 163 | 168 | 168 | 200 | 200 |
| | d | 347 | 347 | 347 | 347 | 347 | 440 | 440 |
| | e | 117 | 117 | 117 | 117 | 117 | 160 | 160 |
| | f | 6,3 | 6,3 | 6,3 | 6,3 | 6,3 | 8,1 | 8,1 |
| | g | 8 | 8 | 8 | 8 | 8 | 8 | 8 |
| | h | 391 | 395 | 398 | 408 | 411 | 200 | 200 |
| | M | 32/40 | 32/40 | 32/40 | 32/40 | 32/40 | 40 | 40 |
| | M* | 2x32 | 2x32 | 2x32 | 2x32 | 2x32 | 2x40 | 2x40 |
| | Max. cable diam. (mm) | 27 | 27 | 27 | 27 | 27 | 27 | 27 |
| | Terminal for cond. cross section (mm ²) min.-max. | 1,5 | 1,5 | 1,5 | 2,5 | 2,5 | 6 | 6 |
| | | -4 | -4 | -4 | -10 | -10 | -25 | -25 |