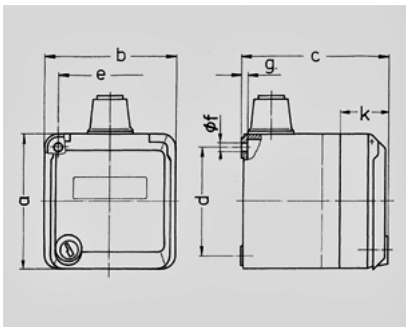


Cepex wall mounted receptacle SCHUKO®, grey - Part no. 4976


- grey
- screw terminals
- with labelling field
- with safety lock
- two keys
- cannot be dismantled when locked
- on request with identical locks
- cable entry: 1 x M 25 with cable gland at top, 1 x M 25 to be cut out at the bottom, 1 x M 20 to be cut out at the back side, for cables 7 up to 13 mm Ø
- with identical locks: part no + index G

Technical information

Ampere	16 A
Poles	2 p
Voltage	230V
Earth position	0 h
Hertz	50-60 Hz
Shutter	no
Protection type	IP 44



Drawing	Amp.	16
1 MB 313		
Dim. in mm	a	93
	b	90
	c	90
	d	75
	e	73
	f	5,5
	g	4,2
	k	36
Max. cable diam. (mm)		18
Terminal for cond. cross section (mm²) min.-max.		1,5 —4