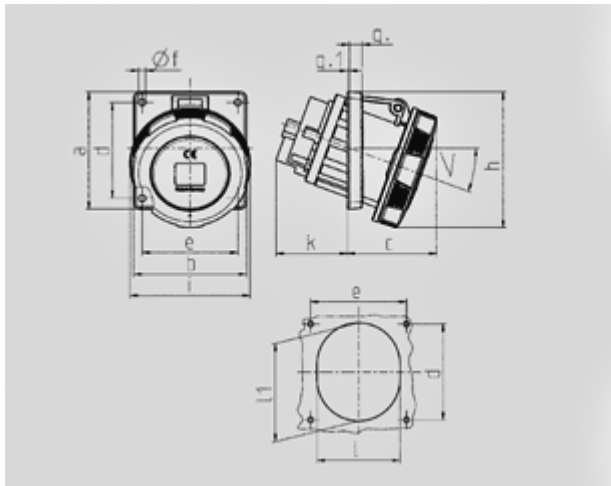


**Panel mounted receptacle - Part no. 209A**


- screw terminals
- 63A: SoftCONTACT
- 125A: TorsionSpringCONTACT
- 20° inclination for 63A
- 15° inclination for 125A
- receptacles with pilot contact: part no. + index P

|                       |                              |
|-----------------------|------------------------------|
| Protection type       | IP 67                        |
| Ampere                | 63A                          |
| Poles                 | 5p                           |
| Voltage               | 400V                         |
| Hertz                 | 50-60Hz                      |
| Earth position        | 6h                           |
| Contact               | standard                     |
| Connection technology | Screw terminals, SoftCONTACT |

Std. Pack. 5 Qty.



| 1 MB 298<br>1 MB 601<br>Dim. in mm               | Amp.<br>Poles | 63       |          |          | 125      |          |          |
|--|---------------|----------|----------|----------|----------|----------|----------|
|  |               | 3        | 4        | 5        | 3        | 4        | 5        |
| a  |               | 110      | 110      | 110      | 114      | 114      | 114      |
| b  |               | 106      | 106      | 106      | 110      | 110      | 110      |
| c  |               | 85       | 85       | 85       | 75       | 75       | 75       |
| d  |               | 85       | 85       | 85       | 90       | 90       | 90       |
| e  |               | 77       | 77       | 77       | 90       | 90       | 90       |
| f  |               | 6,2      | 6,2      | 6,2      | 6,2      | 6,2      | 6,2      |
| g  |               | 12       | 12       | 12       | 13       | 13       | 13       |
| g.1  |               | 2        | 2        | 2        | 2        | 2        | 2        |
| h  |               | 128      | 128      | 128      | 133      | 133      | 133      |
| i  |               | 113      | 113      | 113      | 126      | 126      | 126      |
| k  |               | 67       | 67       | 67       | 103      | 103      | 103      |
| l  |               | 92       | 92       | 92       | 94       | 94       | 94       |
| ll   |               | 98       | 98       | 98       | 107      | 107      | 107      |
| <  |               | 20°      | 20°      | 20°      | 15°      | 15°      | 15°      |
| Terminal for cond. cross section (mm²) min.-max. |               | 6<br>—25 | 6<br>—25 | 6<br>—25 | 25<br>70 | 25<br>70 | 25<br>70 |