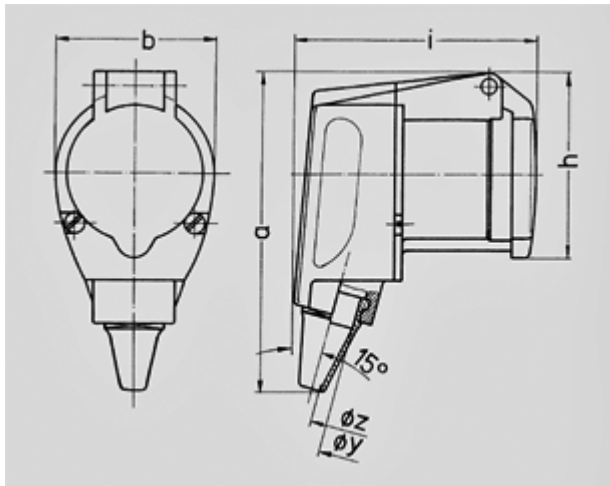


Angled connector - Part no. 1438


- screw terminals
- with grommet

Protection type	IP 44
Ampere	16A
Poles	3p
Voltage	230V
Hertz	50-60Hz
Earth position	6h
Contact	standard
Connection technology	Screw terminals

Std. Pack. 10 Qty.



Drawing	Amp.	16
3 MB 23	Poles	3
Dim. in mm	a	118
	b	59
	h	69
	i	88
	y	17,5
	z	7
Terminal for cond. cross		1
section (mm ²) min.-max.		—2,5