

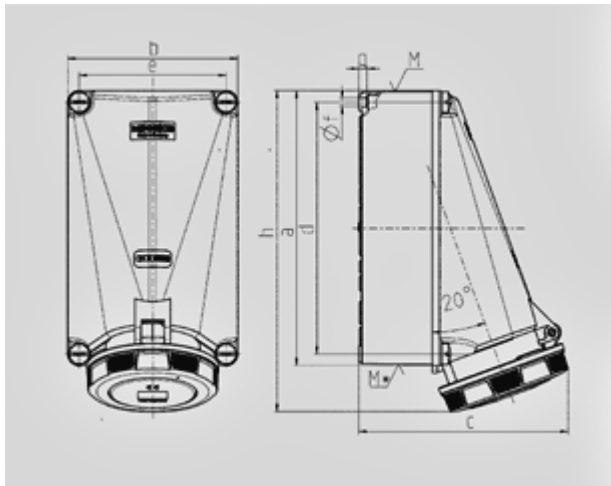
Wall mounted receptacle - Part no. 143



- screw terminals
- products with pilot contact: part no. + index P

Protection type	IP 67
Ampere	125A
Poles	5p
Voltage	400V
Hertz	50-60Hz
Earth position	6h
Contact	standard
Connection technology	Screw terminals

Std. Pack. 3 Qty.



Drawing	Amp.	125	
		4	5
1 MB 162	Poles		
Dim. in mm	a	264	264
	b	163	163
	c	200	200
	d	240	240
	e	140	140
	f	8,1	8,1
	g	8	8
	h	306	306
	M	50	50
	M*	2x50	2x50
	Max. cable diam. (mm)		38
Terminal for cond. cross section (mm ²) min.-max.		25	25
		—35	—35