

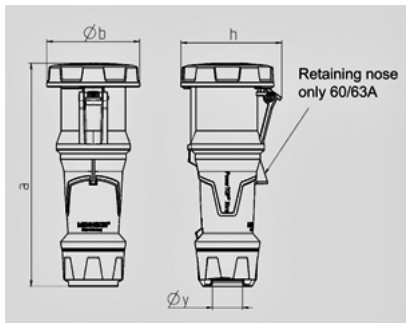
## Connector PowerTOP® Xtra - Part no. 14212



- screw terminals
- with rubberised grip area
- frame terminals
- X-CONTACT
- cable gland and sealing
- strain relief and protection against kinking
- enclosure with thread lock
- two safety slides
- products with pilot contact on request

### Technical information

Ampere	63 A
Poles	5 p
Voltage	400 V
Earth position	6 h
Hertz	50-60 Hz
Connection technology	Screw terminals, X-CONTACT
Contact	highly heat resistant contact carrier
Protection type	IP 67



Drawing 3 MB 68	Amp. Poles	63			125		
		3	4	5	3	4	5
Dim. in mm	a	270	270	270	310	310	310
	b	113	113	113	125	125	125
	h	123	123	123	135	135	135
	y	36	36	36	49	49	49
Terminal for cond. cross		6	6	6	25	25	25
section (mm²) min.-max.		-16	-16	-16	-50	-50	-50