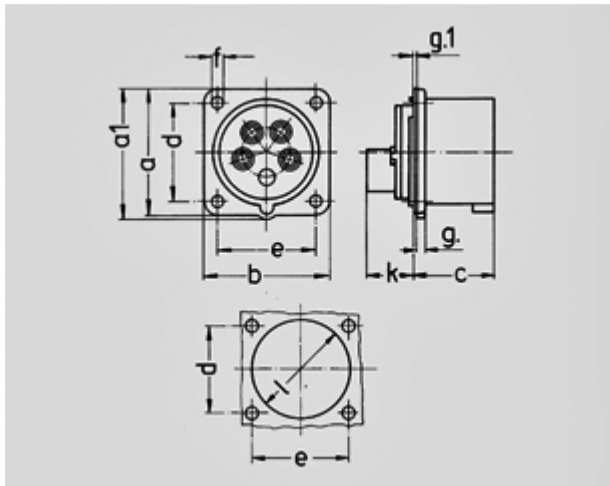


**Panel mounted inlet - Part no. 1409**


- screw terminals
- a retaining nose to hold the hinged lid of the connector must be provided by the customer in order to ensure satisfactory locking

Protection type	IP 44
Ampere	32A
Poles	5p
Voltage	400V
Hertz	50-60Hz
Earth position	6h
Contact	standard
Connection technology	Screw terminals

Std. Pack. 10 Qty.



Drawing	Amp.	16	32
2 MB 68	Poles	5	5
Dim. in mm	a	66	72
	a1	69	78
	b	66	72
	c	43	52
	d	52	60
	e	52	60
	f	4,5	4,5
	g.	4,5	4,5
	g.1	2	2
	k	27	32
	l	59	63
Terminal for cond. cross section (mm <sup>2</sup> ) min.-max.		1 -2,5	2,5 -6