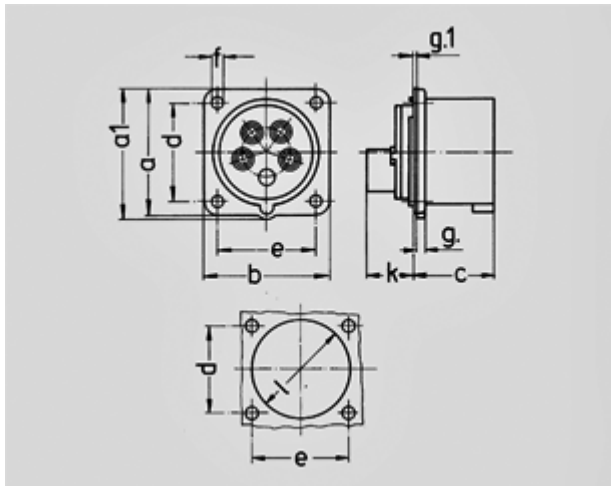


Panel mounted inlet - Part no. 1408


- screw terminals
- a retaining nose to hold the hinged lid of the connector must be provided by the customer in order to ensure satisfactory locking

| | |
|-----------------------|-----------------|
| Protection type | IP 44 |
| Ampere | 16A |
| Poles | 5p |
| Voltage | 400V |
| Hertz | 50-60Hz |
| Earth position | 6h |
| Contact | standard |
| Connection technology | Screw terminals |

Std. Pack. 10 Qty.



| Drawing | Amp. | 16 | 32 |
|------------|---|-----------|-----------|
| 2 MB 68 | Poles | 5 | 5 |
| Dim. in mm | a | 66 | 72 |
| | a1 | 69 | 78 |
| | b | 66 | 72 |
| | c | 43 | 52 |
| | d | 52 | 60 |
| | e | 52 | 60 |
| | f | 4,5 | 4,5 |
| | g. | 4,5 | 4,5 |
| | g.1 | 2 | 2 |
| | k | 27 | 32 |
| | l | 59 | 63 |
| | Terminal for cond. cross section (mm ²) min.-max. | 1 -2,5 | 2,5 -6 |