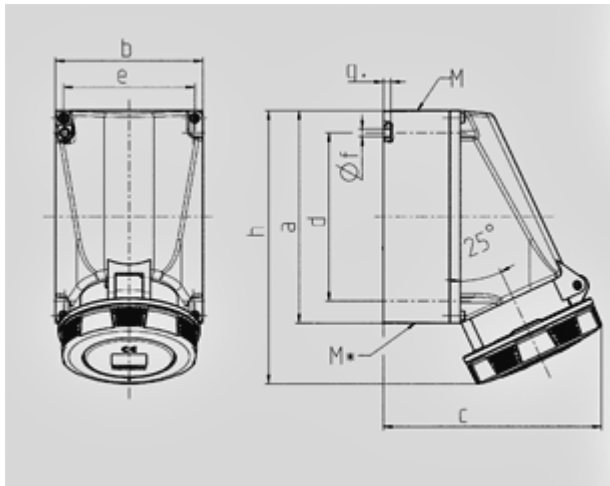


Wall mounted receptacle - Part no. 132A


- screw terminals
- with SoftCONTACT
- internal fixing
- one cable entry at top and two blind cable entries (can be cut out) at bottom
- enclosure base can be turned 180°
- with 6 fixing points to accommodate special terminals
- products with pilot contact: part no. + index P

| | |
|-----------------------|-----------------|
| Protection type | IP 67 |
| Ampere | 63A |
| Poles | 4p |
| Voltage | 400V |
| Hertz | 50-60Hz |
| Earth position | 6h |
| Contact | standard |
| Connection technology | Screw terminals |

Std. Pack. 5 Qty.



| Drawing | Amp. | 63 | | |
|------------|---|----------------------------|-------|-------|
| | | 3 | 4 | 5 |
| 1 MB 112 | Poles | | | |
| Dim. in mm | a | 170 | 170 | 170 |
| | b | 118 | 118 | 118 |
| | c | 175 | 175 | 175 |
| | d | 134,5 | 134,5 | 134,5 |
| | e | 103 | 103 | 103 |
| | f | 6,1 | 6,1 | 6,1 |
| | g | 6 | 6 | 6 |
| | h | 219 | 219 | 219 |
| | M | 40 | 40 | 40 |
| | M* | 2x40 (blind) to be cut out | | |
| | Max. cable diam. (mm) | 27 | 27 | 27 |
| | Terminal for cond. cross section (mm ²) min.-max. | 6 | 6 | 6 |
| | | -25 | -25 | -25 |