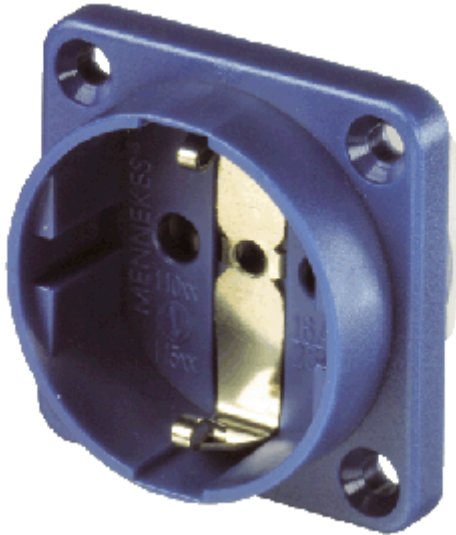


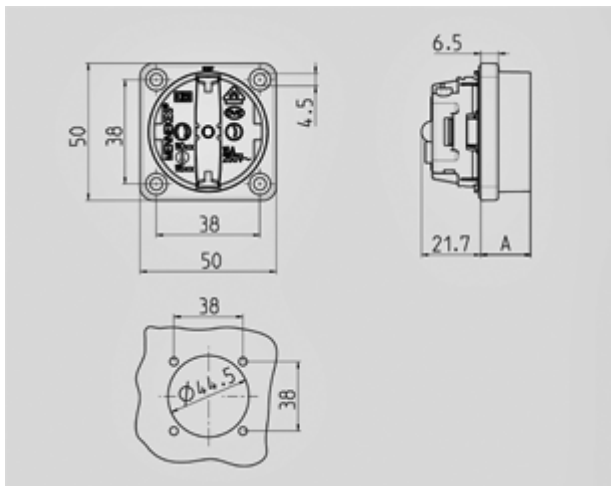
Panel mounted receptacle SCHUKO® - Part no. 11511



- without hinged lid
- 3 plug-in terminals or 3 screw terminals as connecting terminals for 1.5 – 2.5 mm²
- other colours on request

Protection type	IP 20
Ampere	16A
Voltage	230V
Contact	standard
Connection technology	Plug-in terminals

Std. Pack. 100 Qty.



Drawing 1 MB 450 Drawing in mm	Dim. A
SCHUKO	18,3
French/Belgian standards	15,8
Danish standards	15,8