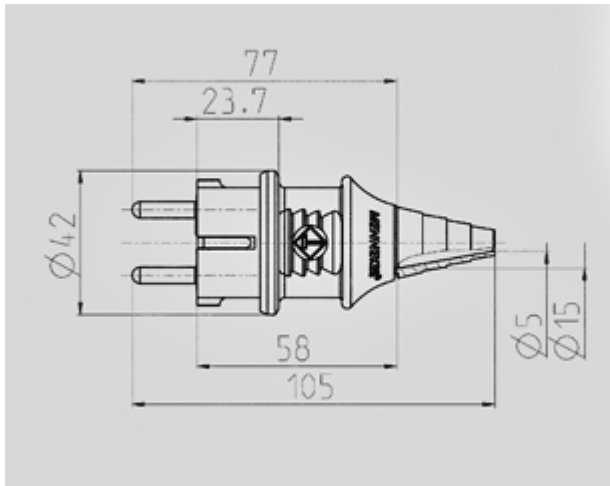


**Plug SCHUKO® - Part no. 10841 green**

- screw terminals
- with combined PE-conductor acc. to german and french-belgian standard
- with grommet
- for cables up to 3 x 2.5 mm<sup>2</sup>, up to H07RN-F

Protection type	IP 44
Ampere	16A
Voltage	230V
Contact	standard
Connection technology	Screw terminals

Std. Pack. 20 Qty.

Drawing  
2 MB 139

Dim. in mm