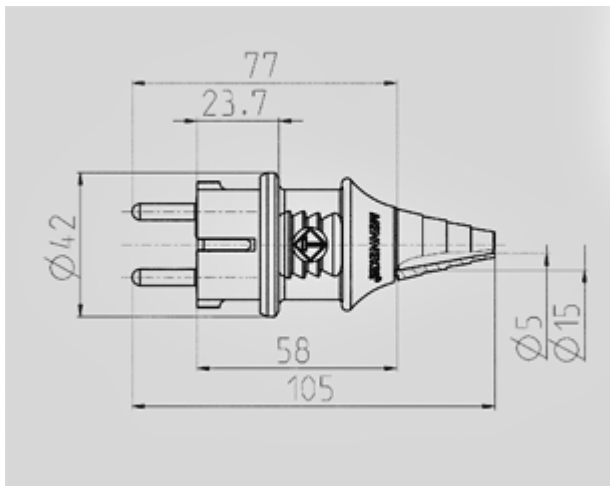


Plug SCHUKO® - Part no. 10838 blue

- screw terminals
- with combined PE-conductor acc. to german and french-belgian standard
- with grommet
- for cables up to 3 x 2.5 mm², up to H07RN-F

Protection type	IP 44
Ampere	16A
Voltage	230V
Contact	standard
Connection technology	Screw terminals

Std. Pack. 20 Qty.

Drawing
2 MB 139

Dim. in mm