

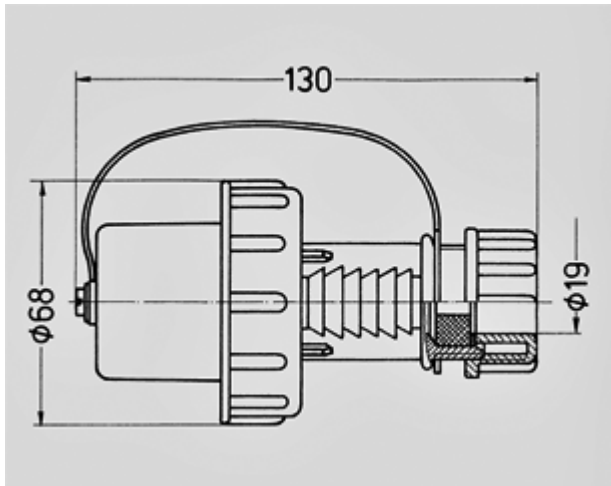
**Plug SCHUKO<sup>®</sup> - Part no. 10828**



- screw terminals
- with combined PE-conductor acc. to german and french-belgian standard
- with bayonet ring
- protective cap attached by a strap
- for cables up to 3 x 2.5 mm<sup>2</sup>, up to H07RN-F

Protection type	IP 68
Ampere	16A
Voltage	230V
Contact	standard
Connection technology	Screw terminals

Std. Pack. 5 Qty.



Drawing  
2 MB 163

Dim. in mm